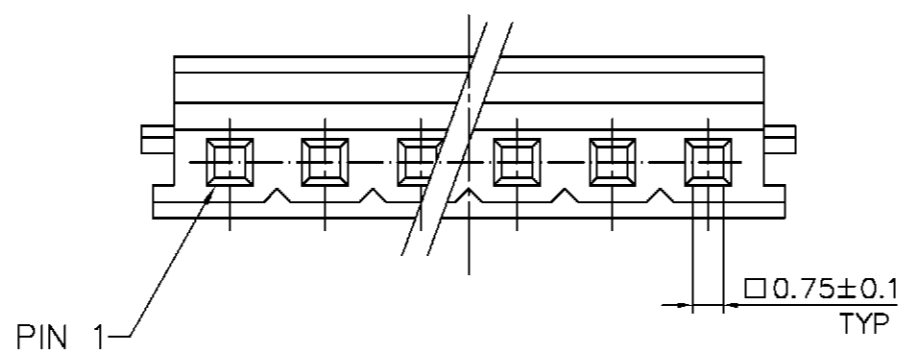
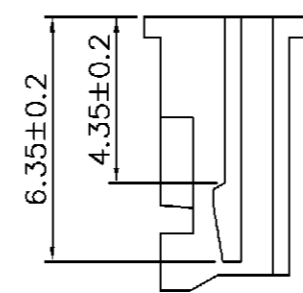
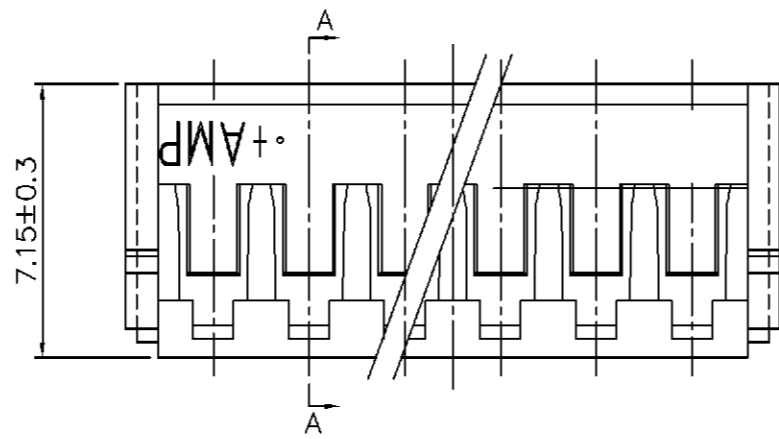
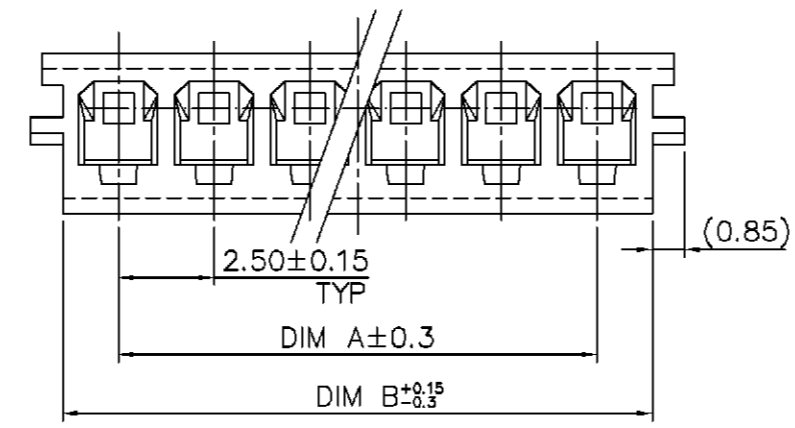
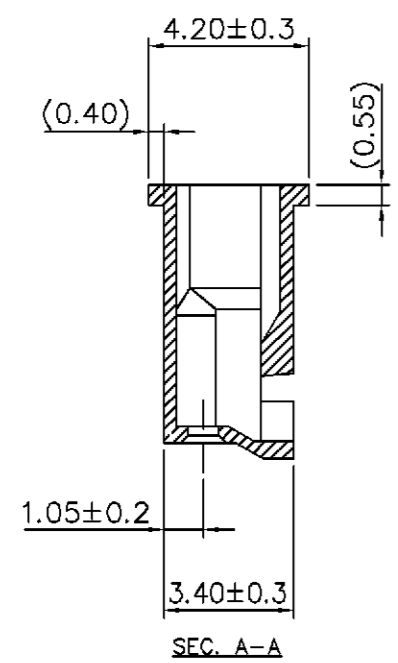


PRINT DIST DW 8 7 6 5 4 3 2 1
 DIMENSIONS IN MILLIMETERS. DO NOT SCALE PRINT.
 METRIC
 NUMBER C-440133
 3RD ANGLE PROJECTION



NOTE:
MATERIAL: NYLON 66 UL 94V-0, COLOR: SEE TABLE.

| HSG. COLOR | DIM B | DIM A | CIRCUITS | PART NO. |
|------------|-------|-------|------------|------------|
| YELLOW | 37.9 | 35.00 | 15P | 3-440133-5 |
| | 35.4 | 32.50 | 14P | 3-440133-4 |
| | 32.9 | 30.00 | 13P | 3-440133-3 |
| | 30.4 | 27.50 | 12P | 3-440133-2 |
| | 27.9 | 25.00 | 11P | 3-440133-1 |
| | 25.4 | 22.50 | 10P | 3-440133-0 |
| | 22.9 | 20.00 | 9P | 2-440133-9 |
| | 20.4 | 17.50 | 8P | 2-440133-8 |
| | 17.9 | 15.00 | 7P | 2-440133-7 |
| | 15.4 | 12.50 | 6P | 2-440133-6 |
| | 12.9 | 10.00 | 5P | 2-440133-5 |
| | 10.4 | 7.50 | 4P | 2-440133-4 |
| | 7.9 | 5.00 | 3P | 2-440133-3 |
| 5.4 | 2.50 | 2P | 2-440133-2 | |
| NATURAL | 37.9 | 35.00 | 15P | 1-440133-5 |
| | 35.4 | 32.50 | 14P | 1-440133-4 |
| | 32.9 | 30.00 | 13P | 1-440133-3 |
| | 30.4 | 27.50 | 12P | 1-440133-2 |
| | 27.9 | 25.00 | 11P | 1-440133-1 |
| | 25.4 | 22.50 | 10P | 1-440133-0 |
| | 22.9 | 20.00 | 9P | 440133-9 |
| | 20.4 | 17.50 | 8P | 440133-8 |
| | 17.9 | 15.00 | 7P | 440133-7 |
| | 15.4 | 12.50 | 6P | 440133-6 |
| | 12.9 | 10.00 | 5P | 440133-5 |
| | 10.4 | 7.50 | 4P | 440133-4 |
| | 7.9 | 5.00 | 3P | 440133-3 |
| 5.4 | 2.50 | 2P | 440133-2 | |

| | | | | | |
|--|-------------------------------|--------------------------------|---------------------|------------------------|-----------|
| TOLERANCES UNLESS OTHERWISE SPECIFIED: 0 PLC ± 1 PLC ± 2 PLC ± 3 PLC ± ANGLES ± | DWN O. HU 25-OCT-2002 | | | | |
| | CHK J. CHENG 25-OCT-2002 | | NAME | | |
| MATERIAL SEE NOTE | APVD J. WU 25-OCT-2002 | 2.5 MM PITCH HPI CRIMP HOUSING | | | |
| FINISH SEE NOTE | PRODUCT SPEC 108-57099 | | | | |
| | APPLICATION SPEC 114-57004 | LOC DW SCALE | SIZE A ₃ | DRAWING NO C-440133 | REV B1 |
| | WEIGHT | SHEET | | 1 OF 2 | |

| | | | |
|-----|---------------------------|-----|-------------|
| B1 | REVISED PER ECO-11-005294 | HMR | 06APR 11 |
| LTR | REVISION RECORD | DWN | CHK DATE |

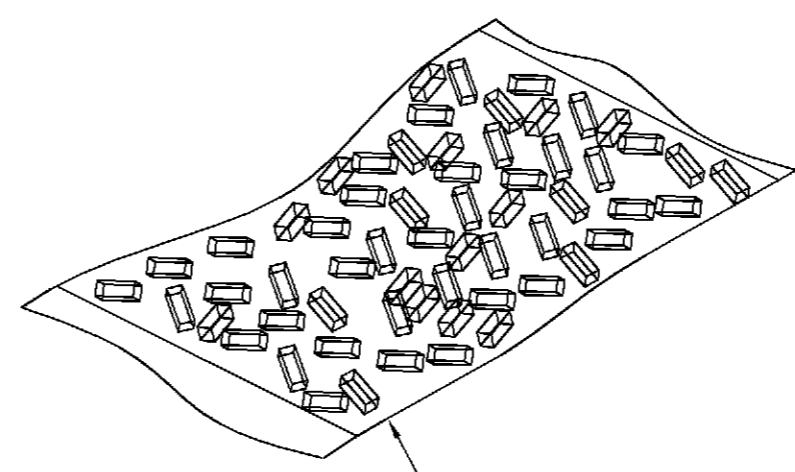
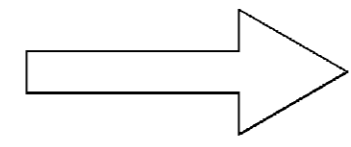
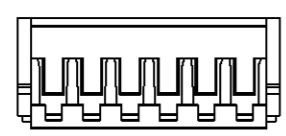
NUMBER
C-440133

3RD ANGLE PROJECTION

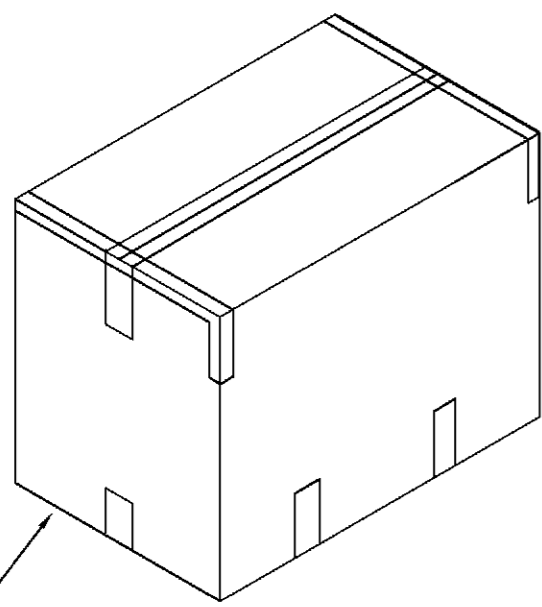
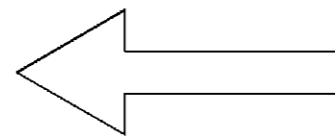
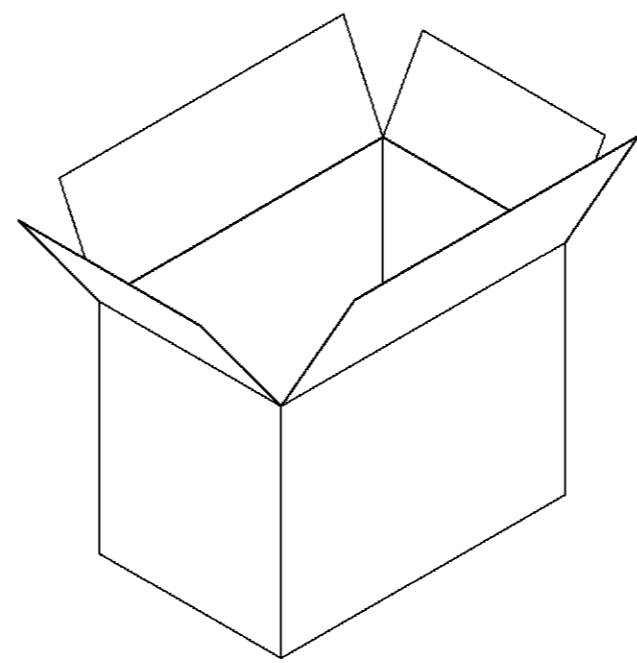
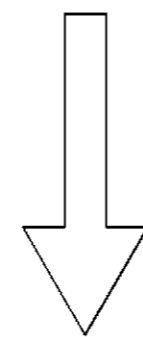
METRIC

DIMENSIONS IN MILLIMETERS. DO NOT SCALE PRINT.

PRINT DIST
DW



POLY BAG
127mm(L)X 203mm(W)X 0.07mm(H)



CARTON
320mm(L)X 220mm(W)X 155mm(H)
(FOR HEADER 2P~7P ONLY)
340mm(L)X 470mm(W)X 365mm(H)
(FOR HEADER 8P~15P ONLY)

| | | | | |
|---------------------|------------------|----------|---------------|------------|
| 15,000 | 1,000 | 15P | 3-440133-5 | 1-440133-5 |
| 20,000 | 1,000 | 14P | 3-440133-4 | 1-440133-4 |
| 20,000 | 1,000 | 13P | 3-440133-3 | 1-440133-3 |
| 25,000 | 1,000 | 12P | 3-440133-2 | 1-440133-2 |
| 25,000 | 1,000 | 11P | 3-440133-1 | 1-440133-1 |
| 30,000 | 1,000 | 10P | 3-440133-0 | 1-440133-0 |
| 35,000 | 1,000 | 9P | 2-440133-9 | 440133-9 |
| 40,000 | 1,000 | 8P | 2-440133-8 | 440133-8 |
| 8,000 | 1,000 | 7P | 2-440133-7 | 440133-7 |
| 10,000 | 1,000 | 6P | 2-440133-6 | 440133-6 |
| 12,000 | 1,000 | 5P | 2-440133-5 | 440133-5 |
| 15,000 | 1,000 | 4P | 2-440133-4 | 440133-4 |
| 20,000 | 1,000 | 3P | 2-440133-3 | 440133-3 |
| 25,000 | 1,000 | 2P | 2-440133-2 | 440133-2 |
| APQ (PCS/CARTON) | PPQ (PCS/BAG) | CIRCUITS | YELLOW | NATURAL |
| | | | HOUSING COLOR | |
| | | | PART NUMBER | |

| | | | | |
|--|------------------|-------------|--------------------------------|----------------|
| TOLERANCES UNLESS OTHERWISE SPECIFIED: 0 PLC ± 1 PLC ± 2 PLC ± 3 PLC ± ANGLES ± | DWN | O. HU | | |
| | CHK | J. CHENG | | |
| MATERIAL SEE SHEET 1. | APVD | J. WU | 2.5 MM PITCH HPI CRIMP HOUSING | |
| | PRODUCT SPEC | 25-OCT-2002 | | |
| FINISH SEE SHEET 1. | APPLICATION SPEC | | LOC | SIZE |
| | WEIGHT | | DW | A ₃ |
| | | | DRAWING NO | REV |
| | | | C-440133 | B1 |
| | | | SCALE | SHEET |
| | | | -- | 2 OF 2 |

| | | | | |
|--------------|-----------------|-----|-----|------|
| SEE SHEET 1. | ECN | DWN | CHK | DATE |
| LTR | REVISION RECORD | | | |

8 7 6 5 4 3 2 1

CUSTOMER DRAWING